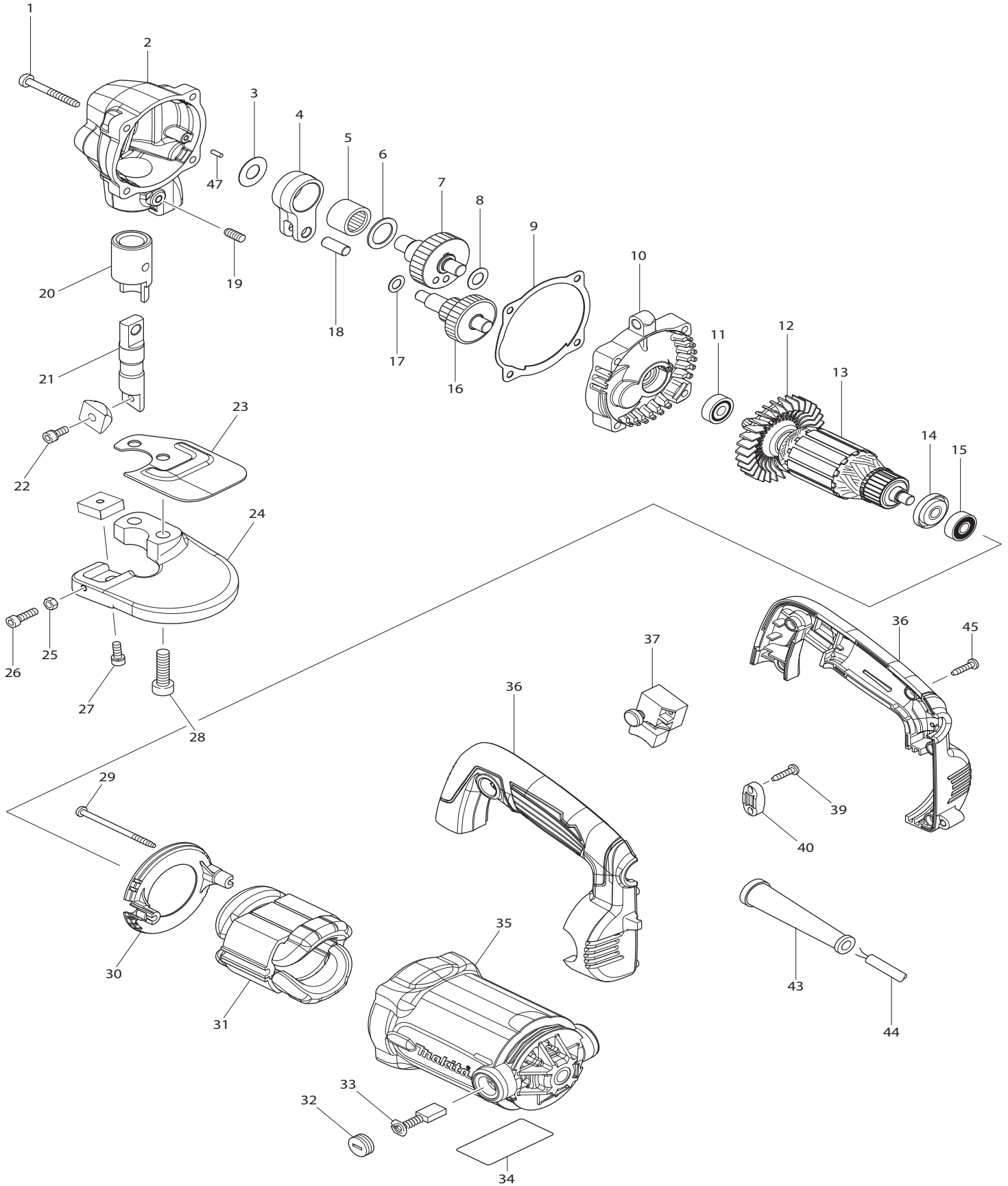




11 - 2012  
JS3201J  
10 GAUGE SHEAR W/CASE



Item N	Type	Ref	Part No	Description	Qty	Unit
001			266056-5	TAPPING SCREW 5X45	4	PC.
002			141795-7	GEAR HOUSING COMPLETE	1	PC.
		INC.	800S40-0	INDICATION LABEL	1	PC.
003			253759-0	FLAT WASHER 12	1	PC.
004			331166-8	ROD	1	PC.
005			212252-3	NEEDLE BEARING 1816	1	PC.
006			253198-4	FLAT WASHER 18	1	PC.
007			153141-2	CRANK SHAFT COMPLETE	1	PC.
008			253311-4	THIN WASHER 10	1	PC.
009			442186-8	* GASKET	1	PC.
010			141796-5	GEAR HOUSING COVER COMPLETE	1	PC.
		INC.	263002-9	RUBBER PIN 4	1	PC.
011			211031-6	BALL BEARING 608LLB	1	PC.
012			240094-5	FAN 70	1	PC.
013			513856-7	ARMATURE ASS'Y 115V	1	PC.
		INC.		ITEM 11,12,14,15		
014			681644-1	INSULATION WASHER	1	PC.
015			210029-0	BALL BEARING 608ZZ	1	PC.
016			226058-3	GEAR COMPLETE 18-46	1	PC.
017			253215-0	FLAT WASHER 8	1	PC.
018			256118-7	PIN 8	1	PC.
019			913322-8	SET SCREW M6X14	1	SET
020			321405-4	METAL	1	PC.
021			321404-6	BLADE HOLDER	1	PC.
022			922216-6	HEX. SOCKET HEAD BOLT M5X14	1	PC.
023			346641-1	YOKE PROTECTOR	1	PC.
024			331165-0	YOKE	1	PC.
025			931203-4	HEX. NUT M5	1	PC.
026			922227-1	HEX. SOCKET HEAD BOLT M5X18	1	PC.
027			922216-6	HEX. SOCKET HEAD BOLT M5X14	1	PC.
028			922452-4	HEX. SOCKET HEAD BOLT M8X30	2	PC.
029			266340-8	TAPPING SCREW 4X65	2	PC.
030			454140-0	BAFFLE PLATE	1	PC.
031			525866-2	FIELD ASS'Y 115V	1	PC.
		INC.	654020-2	RING TERMINAL	2	PC.
		INC.	654501-6	CONNECTOR P-1.25	2	PC.
032	2		643515-0	HOLDER CAP 7-11	2	PC.
033			194996-6	CARBON BRUSH CB-303 2PC/SET	1	SET
034			814C79-1	JS3201 NAME PLATE	1	PC.
035			158278-0	MOTOR HOUSING COMPLETE	1	PC.
		INC.	643708-9	BRUSH HOLDER 5-11	2	PC.
036			187531-7	HANDLE SET	1	SET
037			651284-9	SWITCH SGEL115CDY-6	1	PC.
039			266326-2	TAPPING SCREW 4X18	2	PC.
040			687063-9	CORD CLAMP	1	PC.
043			682503-2	CORD GUARD 8-90	1	PC.
044			664064-4	CORD W/PLUG 2P-18-2.5M, SJ	1	PC.
045			266326-2	TAPPING SCREW 4X18	5	PC.
047			256255-7	PIN 3	1	PC.
D01			652008-6	PAN HEAD SCREW M3.5X7	2	PC.
D02			652257-5	CLAMP WASHER	2	PC.
D03			654037-5	INSULATED TERM. FT1.25-M3	2	PC.
D05			654509-0	CONNECTOR 2-SD	1	PC.

Item N	Type	Ref	Part No	Description	Qty	Unit
<b>ACCESSORIES</b>			<b>- See Catalogue or visit <a href="http://www.makita.ca">www.makita.ca</a> for more accessories -</b>			
A01			792287-5	SHEAR BLADES SET	1	SET
A02			762007-1	THICKNESS GAUGE	1	PC.
A03			783202-0	HEX. WRENCH 4	1	PC.
A04	3		197211-7	INTERLOCKING TOOL CASE M	1	PC.
		INC.	453974-8	LATCH	4	PC.
A05	1		837630-2	INNER TRAY F/CARRYING CASE #821550-0	1	PC.
	2		T-02571	FOAM INSERT F/INTERLOCK CASE #196648-5	2	PC.
A06			800V75-9	PLASTIC CASE LABEL	2	PC.
A07			800V74-1	INDICATION LABEL	1	PC.

**SERVICE CHANGES**

**1. Change on Gasket**

Item No.	Description	Type 1
9	Gasket	442186-8

